



SRR-5 Country of origin: USA

DATA SUMMARY

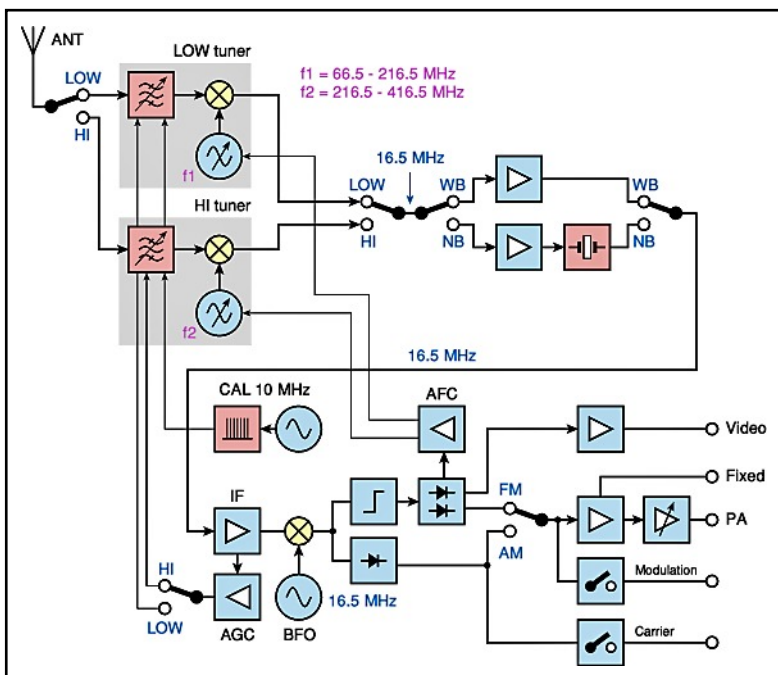
Organisation: Central Intelligence Agency.
Design: Technical Services Division (later OTS) of CIA.
Production: Radio Receptor Company Inc, New York
Year of Introduction: 1961/1962.
Purpose: General purpose surveillance radio receiver.
Circuit features: Single conversion superheterodyne; 10 MHz calibrator; FM/AM/MCW and CW.
Frequency coverage: 49-404MHz in two bands: low: 49-204MHz, high 195-404MHz.
Intermediate Frequency: 16.5MHz.
IF bandpass @3dB: wide: 300kHz ±45kHz; narrow: 80kHz ±4kHz.
Sensitivity: FM <0.9/0.75uV; AM <0.8/1uV; CW<0.4/0.5uV. (Low/High band; narrow band pass)
Power Supply: Three internal 6V Mallory UWB-106 batteries connected in series.; AC: 88-264V at 40-400Hz.
Size (cm): Height 10.8, length 30.5, width 27.5.
Weight: Approximately 9kg.
Accessories: Telescopic aerial, batteries, power cable, headphones and carrying case.

REMARKS

Radio Receiver SRR-5 was a fully transistorised miniature VHF/UHF surveillance receiver, developed by the Technical Services Division of the US Central Intelligence Agency (CIA) and produced by Radio Receptor Company Inc in New York. It covered 49 - 404 MHz, continuously tunable in two ranges, suitable for reception of narrow-band or wide-band FM, AM, CW and MCW signals. The SRR-5 was a replacement of the SRR-4 (Chapter 119), similarly shaped and normally supplied with a black front panel with two hinged grips. Plug-in units and sub-assemblies were used in its construction for ease of replacement and repair. It is interesting to note that all the transistors (except for those in the audio amplifier) were plug-in. The SSR-5 was commercially available to approved customers only. It was later replaced by Radio Receiver SRR-8 (Chapter 178) which had a similar appearance.

References:

- This chapter is an abridged version based on a full account of the SRR-5 (including a downloadable user handbook with circuit diagrams) described in www.cryptomuseum.com
- Photo of a SRR-5, block diagram and technical information from the Crypto Museum website was published with kind permission.
- Operation and service instruction handbook Radio Receiver SRR-5, n.d.
- Correspondence with Pete McCollum, N0TDM, USA.



Block circuit diagram of Radio Receiver SRR-5. (Courtesy Crypto Museum).
 This fully transistorised receiver was a single conversion superheterodyne with two independent RF tuners. It had separate IF filters for wide and narrow band pass, and a common 16.5MHz IF/detector section. The aerial supplied with the receiver was an eight section telescoping rod, provided with a swivel base. When fully extended it was three feet in length.

© This WftW Volume 4 Supplement is a download from www.wftw.nl. It may be freely copied and distributed, but only in the current form.